



Specification for a Test Procedure for **Spiral Wound Gaskets**



FSA Publication No. **GD xxx/2018**

Issue **xx/xx/2019**

ESA Publication No. GD xxx/2018

Specification for a Test Procedure for **Spiral Wound Gasket**

This document has been presented by:



This document is the copyright © 2018 of the Fluid Sealing Association (FSA) and the European Sealing Association (ESA)

All rights reserved.

Members of the FSA and ESA may copy this document as required.

No part of this publication may be reproduced in any form by non-members without prior written permission of the FSA or ESA.

Fluid Sealing Association

994 Old Eagle School Road #1019

Wayne, PA 19087-1866

+1 610 971 4850

www.fluidsealing.com

European Sealing Association

European Sealing Association
310, Route De La Plagne
Morzine 74110 Haute Savoie
France

Tel +33 (0) 631 941 600

www.europeansealing.com

Founded in 1933, the **FLUID SEALING ASSOCIATION® (FSA)** is an international trade association. Member companies are involved in the production and marketing of a wide range of fluid sealing devices primarily targeted to the industrial market. FSA membership includes a number of companies in Europe and Central and South America, but is most heavily concentrated in North America. FSA members account for a majority of the manufacturing capacity for fluid sealing devices in the Americas market

The **European Sealing Association** is a pan-European organisation, established in 1992 and representing over 80% of the fluid sealing market in Europe. Member Companies are involved in the manufacture, supply and use of sealing materials, crucial components in the safe containment of fluids during processing and use.

Acknowledgements

The FSA and ESA are pleased to recognise the co-operation of the following Member Companies in the preparation of this document. Without their support, this document would not have been possible:

Individuals who have made a particularly significant contribution to this publication include:

Chett Norton	Triangle Fluids Control, Ltd.
Phil Mahoney	A.W. Chesterton Co.
Ron Frisard	A.W. Chesterton Co.
Jim Drago	Garlock
Daniel Bisset	WL Gore
Guillermo San Martin	Empack Spirotallic Mexicana S.A de C.V.
Matt Wasielewski	Yarmouth Research
Mark Richardson	James Walker
Martin Coulthard	James walker
Frank Herkert	AMTEC
Stephen Woolfenden	Eriks
Henri Azibert	FSA
David Mitchell	ESA

This publication is intended to provide information for guidance only. The Fluid Sealing Association and the European Sealing Association have made diligent efforts to ensure that recommendations are technically sound, but does not warrant, either expressly or by implication, the accuracy or completeness of the information, nor does the Association assume any liability resulting from the reliance upon any detail contained herein. Readers must ensure products and procedures are suitable for their specific application by reference to the manufacturer. Also, the document does not attempt to address compliance

requirements of regulations specific to a particular industrial facility. Readers should consult appropriate local, regional, state, national or federal authorities for precise compliance issues.

Table of Contents

	<u>Page</u>
Acknowledgements	3
Foreword	4
1.Scope	5
2.References	5
3.Test Apparatus	5
4.Pre-Test Procedure	5
5.Installation	6
6.Test Conditions	7
7.Test Procedure	9
8.Reporting	9
Appendix A - Test Report Form	11
Appendix B – Typical Graphical Representation of Results	13
Appendix C - Figure 1- Typical Test Arrangement (Schematic)	14
Figure 2 – Typical Test Apparatus (Schematic)	15
Appendix D – Differential Pressure Method	16

Foreword

This specification gives details of a test procedure for **spiral wound gaskets** to be used to seal pipe and other flanges. It has been prepared by the Gasket Division of the Fluid Sealing Association (FSA) in collaboration with the Gasket Division of the European Sealing Association (ESA) and is approved by these organisations as a suitable method of test.

1. Scope

This specification details a test method for measuring emissions from flanges sealed with spiral wound gaskets. These types of gaskets are generally of the types described in FSA/ESA publication 'Gasket Handbook' when used to seal flanges. It gives guidance on the design of test equipment, standard test parameters and reporting criteria. It does **not** specify performance criteria which should be agreed between supplier and customer but does define 2 leakage classes.

2. References

Attention is drawn to the following documents:

ASME B16.5. Pipe Flanges and Flanged Fittings: NPS 1/2 through NPS 24 Metric/Inch Standard

ASME B16.20. Metallic Gaskets for Pipe Flanges: Ring-Joint, Spiral-Wound, and Jacketed

API 622. Type Testing of Process Valve Packing for Fugitive Emission

EN13555:2014 - Flanges and their joints - Gasket parameters and test procedures relevant to the design rules for gasketed circular flange connections

3. Test apparatus

The test apparatus shall be similar to the typical example shown in Appendix C, Figure 1 & 2, and shall consist of a 3" Class 300# flange, Standard A105 material. The fixture will be enclosed by an aluminium ring that contains emissions within the fixture but allows outside air to be drawn in for the emission measurement device to draw a sample on the outside of the gasket.

There will be connections to pressurize the inside of the gasket and connections for the probe to take measurements.

Clearance between the outside of the flange and the outer ring shall be 1/16 to 1/8 inch (1.5 to 3 mm)

One measuring point, a drilled hole compatible in size with the monitoring equipment shall be used to obtain measurements.

Threaded connections shall be provided for heating element, two thermocouples, a pressure sensing port, and a gas inlet.

Heating elements and insulation as required to maintain temperature.

The flange fixture shall be mounted so the axis of the pipe and flange assembly is horizontal. The measuring shall be at the top of the outer ring. Centering of the containment ring over the flange shall be made by suitable means at the test facility.

Alternatively, automated hydraulic equipment as detailed in EN13555 Annex A, B, C and D can be used. Test platens should be sized to that of a 3" class 300# flange. Simulated stiffness should be set at 1500 kN/mm when heating/cooling the system.

4. Pre-Test Procedure

4.1 Inspect the gasket for overall condition. Take photographs of the gasket on each side.

4.2 Measure and record the thickness at four points evenly spaced around the circumference of the gasket.

4.3 Score the outer ring on both sides in the radial direction approximately 90 degrees apart, across the surface of the rings at least .020", 0,5 mm deep starting at a maximum of 1/4 inch (6 mm) from the spiral. (Kamm profile?)

5. Installation

5.1 Loading method: A193 Grade B7 bolts (or threaded rod) shall be used with A194 Grade 2H nuts and ASTM F436 Thru-hardened washers to tighten the flanges and apply the specified load. Thread length should extend beyond the nut. The thread type should be UNC. The bolting pattern shall be a star cross pattern, in the following sequence: 1, 5, 2, 6, 3, 7, 4, and 8. (See Fig. 1.)

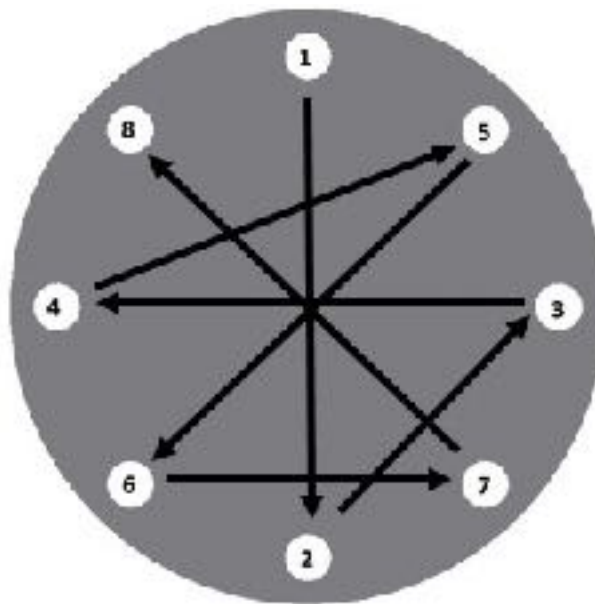


Figure 1. Bolt tightening pattern

5.2 A high grade anti-seize lubricant shall be used for all surface threads, bottom of nut and washer.

5.3 A calibrated torque wrench shall be used.

5.4 New bolts, or rod, nuts, and washers should be used for each test.

5.5 The loading should be sequential starting at 30%, 60% and 100% of required torque, with a final check at 100% of required torque sequentially around the circumference. Conduct successive 360 degrees pass(es) until there is no movement of any of the fasteners.

5.6 The gap between the flanges must be measured at 4 points 90 degrees apart and the variation must not exceed .020" (0,5 mm).

5.7 The torque shall be calculated to achieve the specified load using the following formula: $T = KFD$.

T: Torque ft.-lb./N.m

K: Nut (Friction) factor

D: Diameter of the bolt ft./m

F: Load lb./N

5.8 The load, torque and anti-seize to be used shall be specified by the manufacturer.

5.9 Sections 5.1 through 5.8 are not applicable if automated hydraulic equipment as detailed in EN13555 is used.

6. Test Conditions

6.1 Temperature. Two test temperatures shall be used. Ambient temperature, (maximum of 100°F, 40°C), and 500°F (260°C).

6.2 Test medium. The test medium shall be methane or helium gas (97% minimum purity).

6.3 Size. Standard 3" 3/4/600 flange dimensions with caps welded on the ends.,

6.4 Dimensions. Per ASME B16.20

6.5 Temperature and Pressure cycles.

- 1) Ambient temperature for a duration of 2 hours at a gauge pressure of 41 bar, 600 psig
- 2) Release pressure, heat up to 500°F, 260°C, one and one half hour
- 3) 500°F, 260°C temperature for a duration of 2 hours at a gauge pressure of 41 bar, 600 psig
- 4) Release pressure and cool to ambient temperature 4 to 20 hours
- 5) Ambient temperature for a duration of 2 hours at a gauge pressure of 41 bar, 600 psig
- 6) Heat up to 500°F, 260°C under pressure, one and one-half hour
- 7) 500°F, 260°C temperature for a duration of 2 hours at a gauge pressure of 41 bar, 600 psig
- 8) Release pressure and cool to ambient temperature 4 to 20 hours
- 9) Ambient temperature for a duration of 2 hours at a gauge pressure of 41 bar, 600 psig
- 10) Heat up to 500°F, 260°C under pressure, one and one-half hour
- 11) 500°F, 260°C temperature for a duration of 2 hours at a gauge pressure of 41 bar, 600 psig
- 12) Release pressure and cool to ambient temperature 4 to 20 hours
- 13) Ambient temperature for a duration of 2 hours at 40 a gauge pressure of 41 bar, 600 psig

Pressure levels to be +/- 5 psi, (0,34 bar); temperature levels to be +/- 5°F, +/- 2,7°C

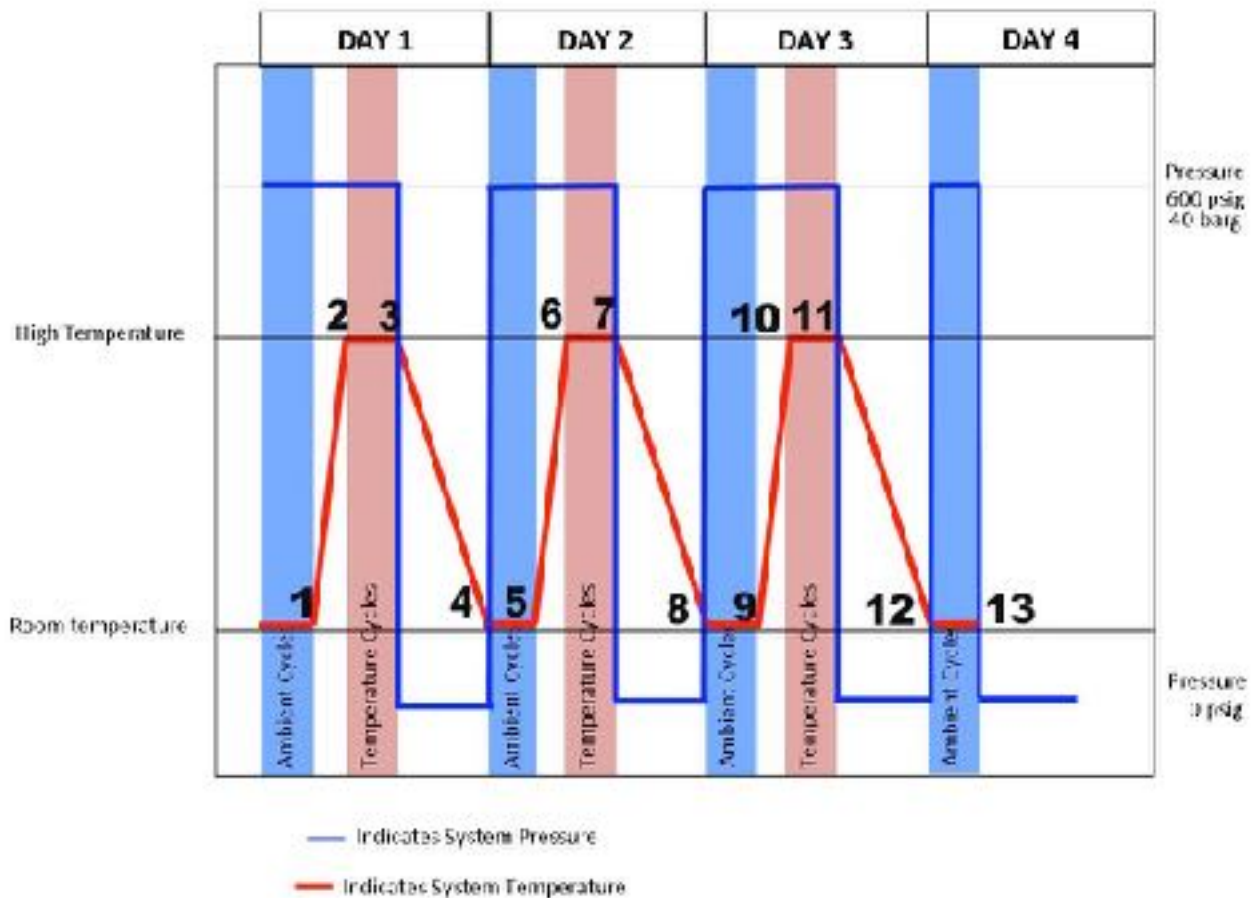
Ambient temperature between 15 to 40°C 60 to 110°F

6.6 Additional Tests

Any additional tests carried out under different conditions (e.g. other media, higher temperature etc.) shall be reported separately.

SPIRAL WOUND GASKET TEST

PRESSURE & TEMPERATURE PROFILE



7. Test Procedure

7.1 Pre-Test procedure

- Inspection
- Measurement
- Photographs

7.2 Test duration

The test duration will depend on the time used for the cool down periods of steps 4 and 8 and 12 of the temperature/pressure cycles, but a full test is expected to take three and one-half days.

7.3 Result recording

7.3.1 Leakage measurement instrumentation

A calibrated methane or helium concentration measuring instrument shall be used.

Before cycling starts take a background measurement, zero out the sensor.

Zero the sensor at the beginning of each elevated temperature cycle. Note that outgassing of the fixture or the bolt lubricant may occur during the first high temperature cycle and could result in an erroneous elevated reading.

A measurement is an average of a minimum of 10 readings over a one-minute period. Measurements should not deviate by more than 50% unless the leakage is below 10 PPM. An average of the measurements shall be recorded.

Alternatively, the differential pressure method using a reference gas volume can be used. The results are given in mass flow rate and normalized per gasket outer diameter (see Appendix D)

7.3.2 Leakage measurements

Three leakage measurements shall be conducted during phases 1, 3, 5, 7, 9, 11, and 13. They shall be taken at the beginning, middle and end of each two-hour period: 5 minutes, 60 minutes and 115 minutes, +/- 5minutes, elapsed time in the cycle.

7.4 Post-test procedure

- Inspection
- Measurement
- Photographs

7.5 Number of tests

A minimum of 2 complete tests shall be carried out for each gasket type.

7.6 Test completion

- Documentation

8. Reporting

8.1 Record all test data on a seal test report form (an example is shown in Appendix A) and graphically (an example is shown in Appendix B)

8.2 Leakage Class.

There shall be 2 leakage classes,

Concentration measurement:

- Class 1: less than 25 PPM (methane); less than 25 ppm (Helium)

- Class 2: less than 50 PPM. (methane); less than 50 ppm (Helium)

Mass flow measurement

- Class 1: less than 2.18E-03 mg/m/s or 2.73E-04 mg/s (methane); less than 5.45E-04 mg/m/s or 6.84E-05 mg/s (Helium).

- Class 2: less than 4.35E-03 mg/m/s or 5.46E-04 mg/s (methane); less than 1.09E-03 mg/m/s or 1.37E-04 mg/s (Helium).

If any reading exceeds the highest leakage class, the test shall be suspended. (No re-torque allowed).

8.4 Publishing of results

When publishing results, the average results for a minimum of two tests shall be reported and the following data must be included:

- Standard reference (i.e. FSA GDxxx.2019) and Issue Number
- Gasket type
- Test duration
- Test conditions
- Leakage class achieved
- Load and torque specified

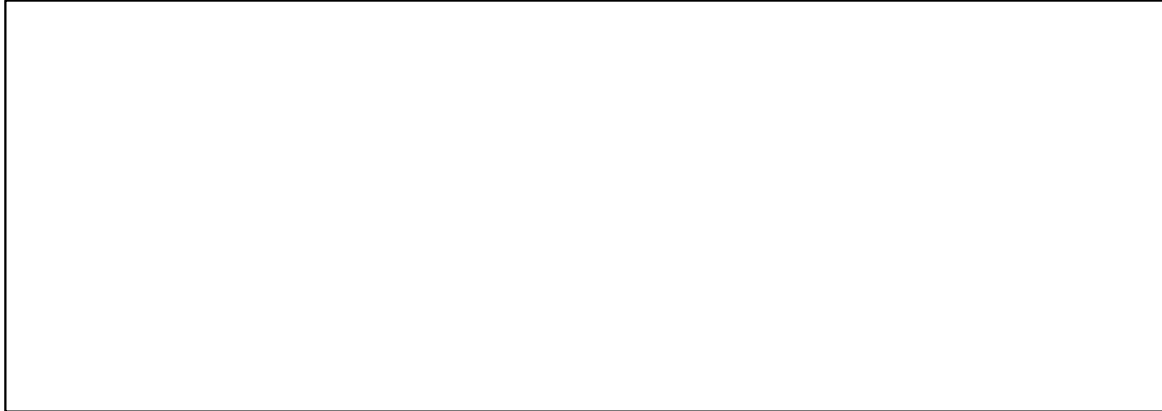
8.3 The complete test report shall be made available to users on request.

Appendix A
Gasket Test report according to FSA GDXXX/2019

Test Start Date: _____ Report No: _____
Test End Date: _____ Performed by: _____
Customer: _____

Pre-Test Information

Photographs



Description Of Gasket to be tested: _____
Manufacturer Name / Trademark: _____
Gasket Marking: _____
Visual Condition of test specimen: _____

Centering ring
Outside Diameter: _____
Thickness: _____
Material: _____

Inner Ring
Inside Diameter: _____
Thickness: _____
Material: _____

Spiral Wound Sealing Element
Outside Diameter: _____, _____, _____, _____
Inside Diameter: _____, _____, _____, _____
Thickness : _____, _____, _____, _____
Winding Material: _____ Filler Material: _____

Pre-Test information

Recommended load by the manufacturer (F) : _____ lbs / N Nut Friction Factor (K) : _____
Bolt Diameter (D): _____ Bolt Torque calculated with formula $T=KFD$: _____ ft lbs /Nm

Test information

<i>Cycle</i>	<i>Reading 1</i>	<i>Reading 2</i>	<i>Reading 3</i>	<i>Average</i>	<i>Temperature</i>	<i>Pressure</i>	<i>Gap Between Flanges</i>
				<i>Leakage</i>	<i>°F/°C</i>	<i>psig/ bar gauge</i>	
<i>Initial</i>	0	0	0	0.00	Ambient	600/41	
1	0	3	5	2.67	Ambient	600/41	
3	0	0	0	0.00	500/260	600/41	
5	3	3	3	3.00	Ambient	600/41	
7	3	3	3	3.00	500/260	600/41	
9	5	6	5	5.33	Ambient	600/41	
11	5	3	3	3.67	Ambient	600/41	
13	5	6	10	7.00	500/260	600/41	

Test Results

Maximum leakage through the test : 10 PPMv

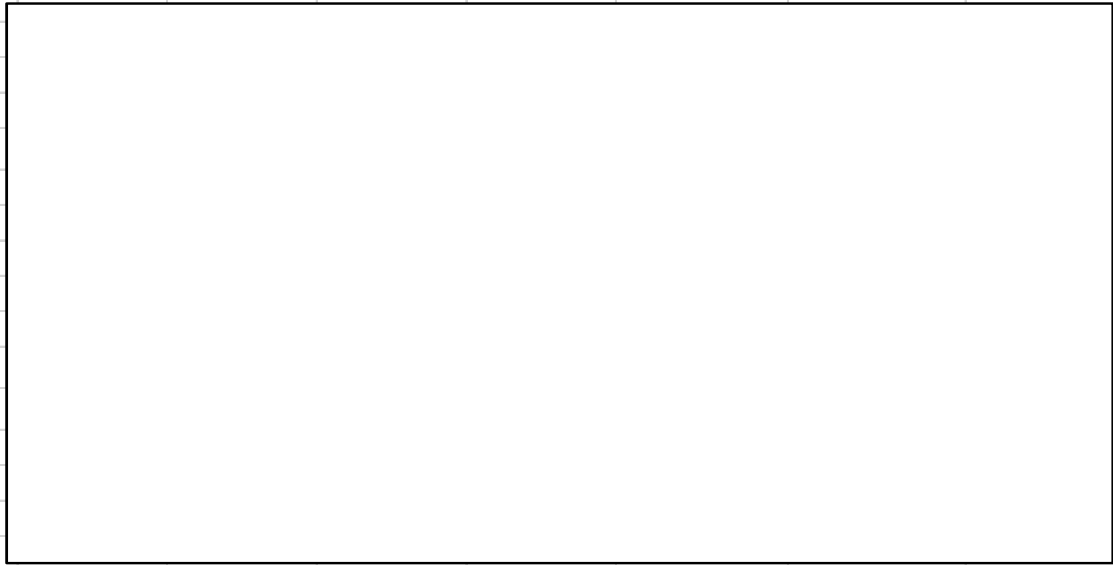
Average leakage through the test : 3.9 PPMv

Leakage Class achieved during test : Class I

Bolt torque at end of test: _____

% Final Compression: _____

Photographs



Appendix B
Typical Graphical Representation of Results



Appendix C – Test Fixture

Assembled fixture

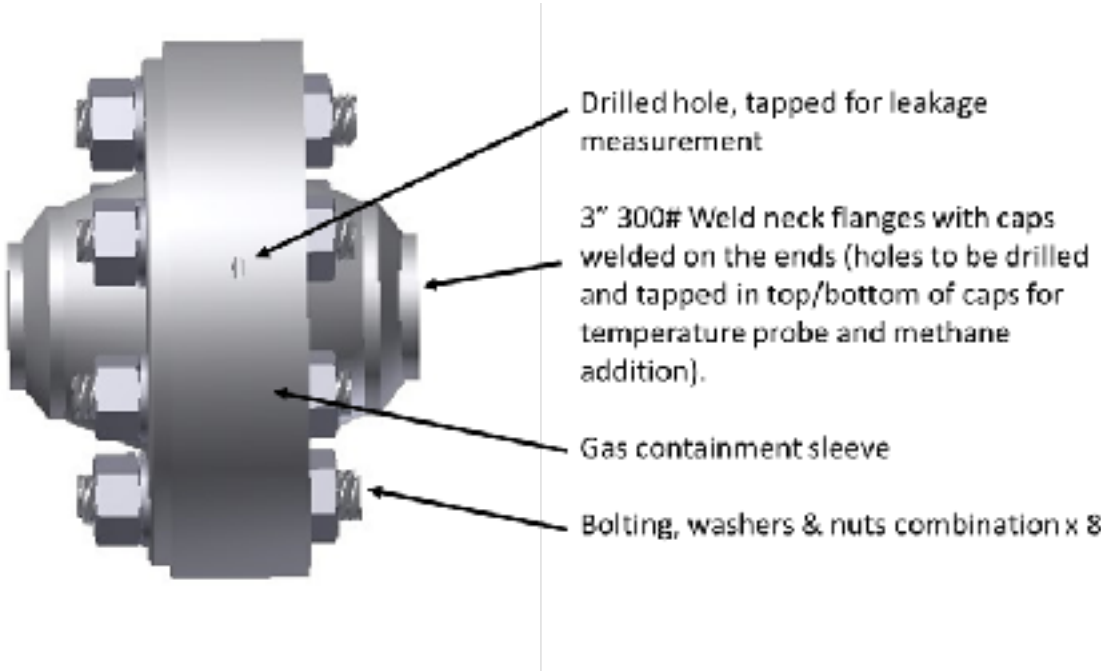


Figure 1 Typical Test Arrangement (Schematic)



Appendix C – Test Fixture

Exploded Assembly view of Fixture

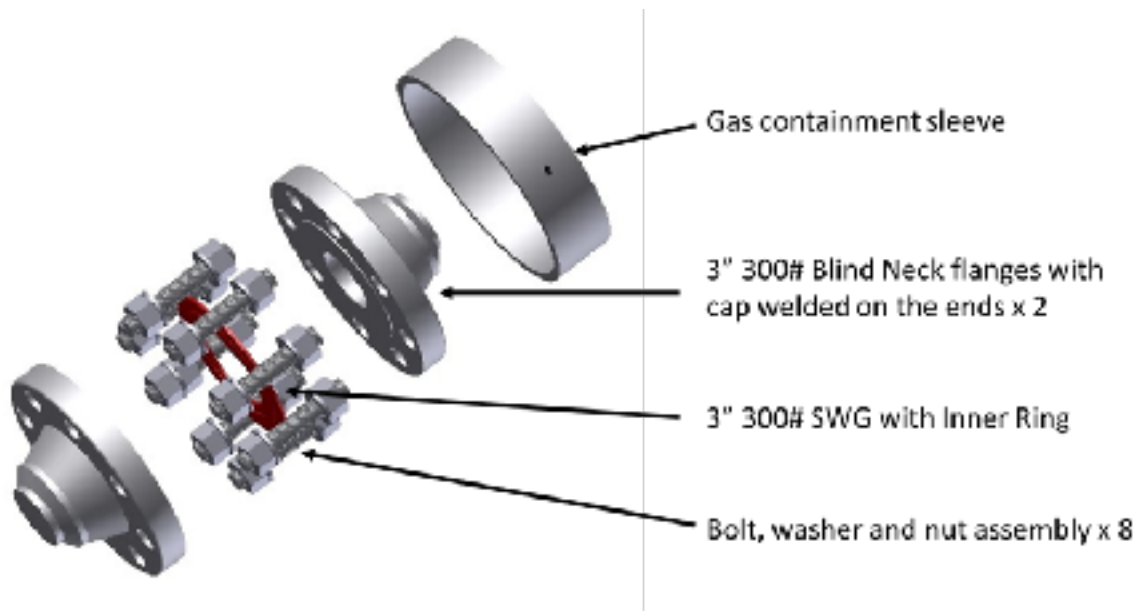


Figure 2 Typical Test Apparatus (Schematic)

APPENDIX D – Differential Pressure Method

The Differential Pressure Method consists of using two chambers of similar volume, one being the test fixture, the other being a reference leak tight chamber. The two chambers are connected to valves used for filling, (V4), venting, (V3), isolation of both chambers, (V2), and isolation between the two chambers, (V1); a differential pressure gauge, (dP), is placed between the two chambers, and an absolute pressure gauge, (P_{abs}), is connected to the reference chamber. See diagram in Figure 1.

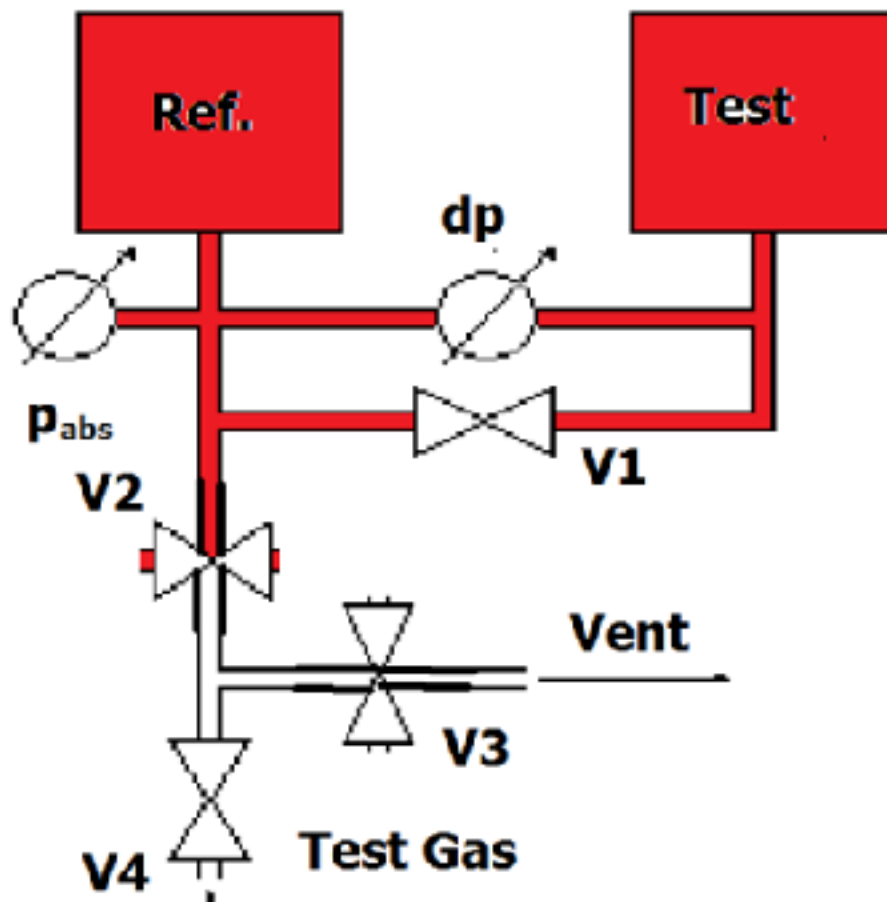


Figure 1 Schematic of Differential Pressure Method

The measurement method consists of the following steps:

Fill the two chambers with the test medium.

Equalize pressure / temperature between the two chambers.

Isolate the two chambers from each other.

As test gas leaks out of the test volume its pressure decreases.

Measure how the pressure differential between the test and reference chambers changes over time, using the differential pressure meter.

When enough of a differential has been recorded equalize the pressure between the two chambers.

To end vent the system

Note: Be careful not to subject the differential pressure gauge to too high a pressure differential as it will damage the instrument.

It is highly advantageous to automate the system, with a software safety that equalizes the pressures if the pressure difference becomes too great.

Calculations

Using the gas laws: $pV=nRT$, find $n = pV/RT$ with

p = pressure lost during the test (differential pressure, Pa)

V = Test chamber volume (m^3)

n = number of moles

R = Ideal gas constant (8.314 J/mol/K)

T = Temperature ($^{\circ}K$)

Convert from moles to mg using the relative molecular mass (RMM), (for Helium 4003 mg/mol, methane 16400 mg/mol)

$$n_{(mol)} * RMM_{(mg/mol)} = mg_{(test\ gas)}$$

Divide by Test time (seconds)

$$mg_{(test\ gas)} / time_{(s)} = leakage\ rate_{(mg/s)}$$

Normalize to length in meters (Divide by gasket mean diameter circumference)

$$Leakage\ rate_{(mg/s)} / gasket\ length_{(m)} = normalized\ leakage\ rate_{(mg/m/s)}$$